



MB S1

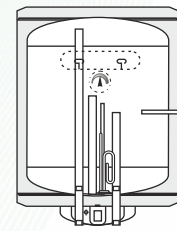
80, 100, 120

PU - 20 mm
RAL 9003

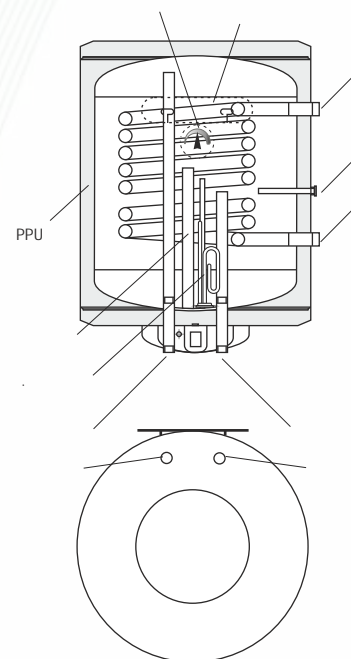
DIN 4753-3

DIN 4753-6

8



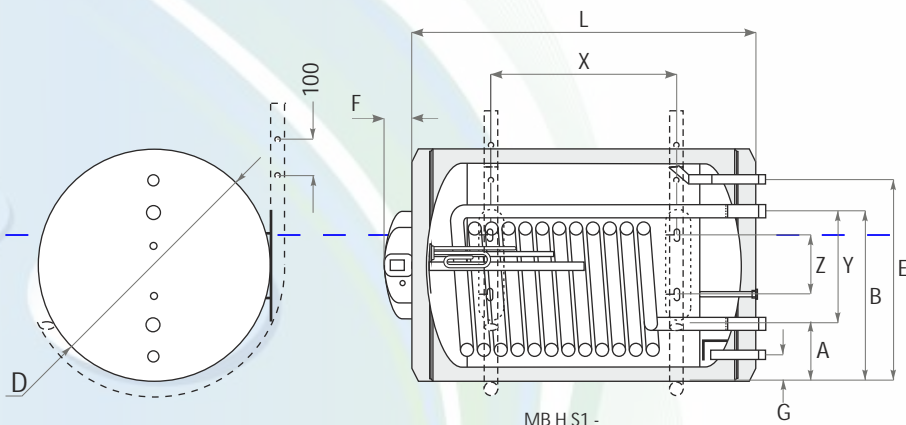
MB V EL



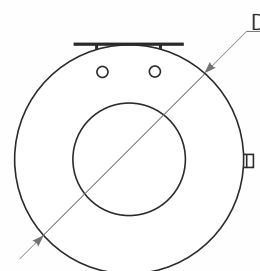
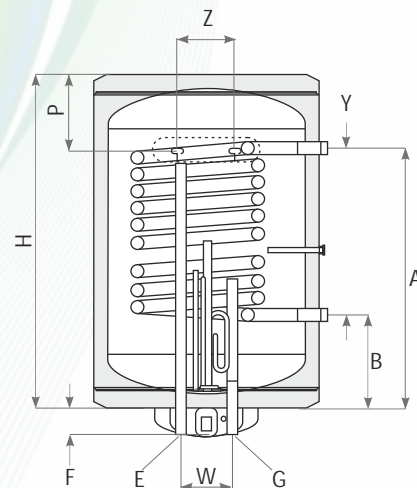
MB V S1

SUNSYSTEM®

Energy from the sun



| | | MB 80 V/H S1 | MB 100 V/H S1 | MB 120 V/H S1 | |
|-----------------------|-------------------|----------------------------------------------|----------------------------------------------|----------------------------------------------|----|
| | I | 80 | 100 | 120 | |
| () / | mm | 800 (800)/460 | 960 (960)/460 | 1120 (1120)/460 | |
| D | mm | ø 440 | ø 440 | ø 440 | |
| / | bar/°C | 8/95 | 8/95 | 8/95 | |
| | bar | 13 | 13 | 13 | |
| | m ² | 0.4 | 0.53 | 0.53 | |
| | l | 2.04 | 2.70 | 2.70 | |
| DIN 4708; 80/60/45 °C | kW | 8.2 | 9 | 9 | |
| | m ³ /h | 0.20 | 0.22 | 0.22 | |
| NL – 60°C | | 1 | 1.3 | 1.3 | |
| | p | mbar | 50 | 55 | 55 |
| / | bar/°C | 16/110 | 16/110 | 16/110 | |
| | bar | 25 | 25 | 25 | |
| | | ✓ | ✓ | ✓ | |
| | | ✓ | ✓ | ✓ | |
| | kW | 2/3 | 2/3 | 2/3 | |
| | A | R ³ / ₄ " 140 (100) | R ³ / ₄ " 140 (100) | R ³ / ₄ " 140 (100) | |
| | G | R ¹ / ₂ " (45) | R ¹ / ₂ " (45) | R ¹ / ₂ " (45) | |
| | B | R ³ / ₄ " 540 (540) | R ³ / ₄ " 540 (540) | R ³ / ₄ " 540 (540) | |
| | E | R ¹ / ₂ " (356) | R ¹ / ₂ " (356) | R ¹ / ₂ " (356) | |
| H (L) | mm | 740 (740) | 900 (900) | 1060 (1060) | |
| A | mm | (80) | (80) | (80) | |
| F | mm | 60 (60) | 60 (60) | 60 (60) | |
| W | mm | 120 | 120 | 120 | |
| P | mm | 180 | 180 | 180 | |
| X | mm | (380) | (540) | (700) | |
| Y | mm | 240 (240) | 240 (240) | 240 (240) | |
| Z | mm | 287 (250) | 400 (250) | 400 (250) | |
| /CrNi | kg | 63/45 | 68/- | 76/58 | |



MB V S1 -

NES Ltd.

9700, 12

: 054/ 874 546, : 054/ 874 556

e-mail: ftrade@sunsystem.bg

www.sunsystem.bg